

TGM25-075-26 Series Spec Sheet



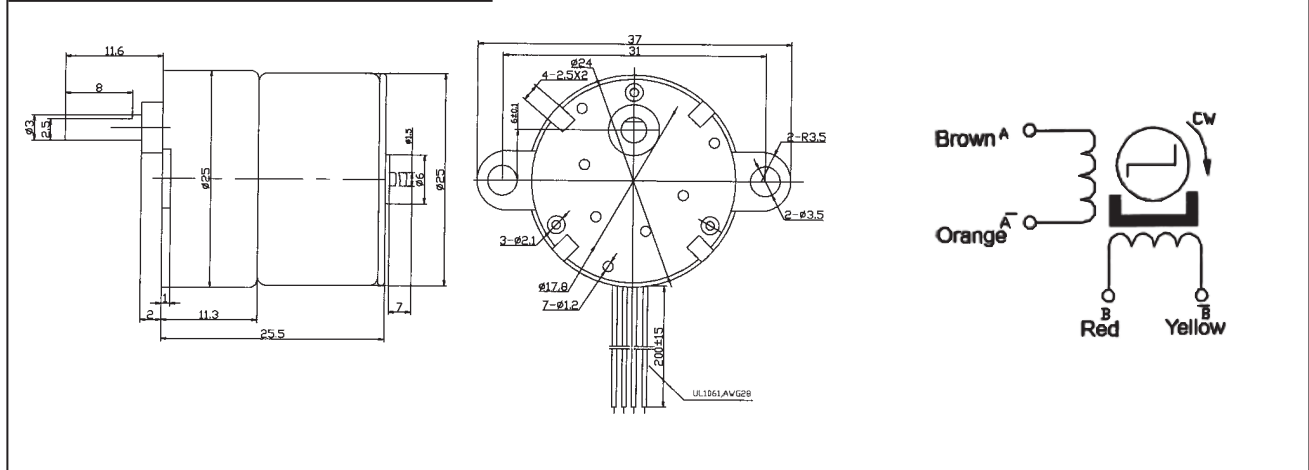
- Permanent Magnet Stepper Gear Motor
- High Torque in a Small Package at a Low Cost
- 4000 g-cm of Max Torque (55.55 oz-in)
- 25mm Diameter
- 5:1, 10:1 and 30:1 Gear Ratios

Specifications

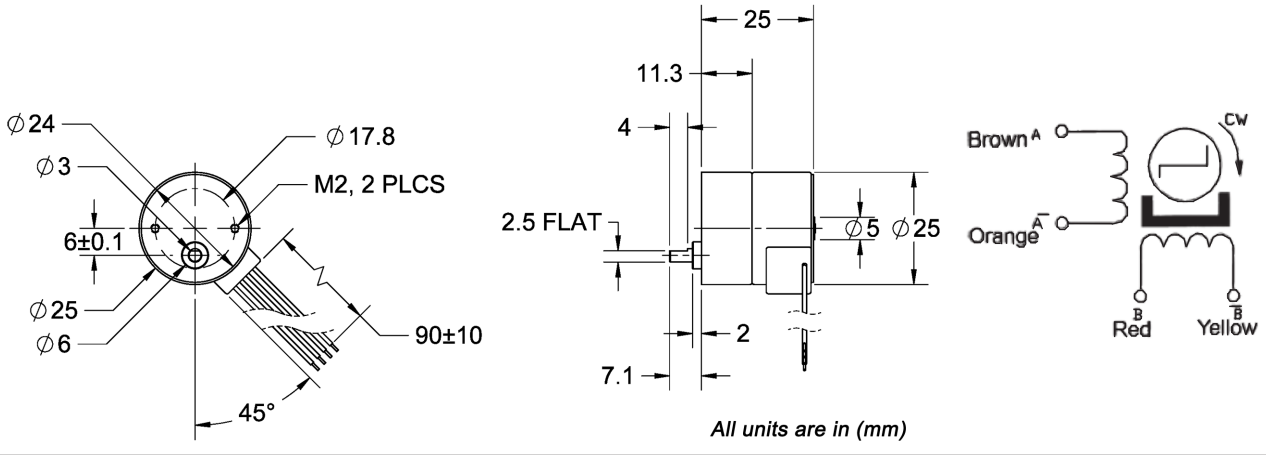
| Item | Specifications |
|-----------------------|---------------------------|
| Step Angle Accuracy | ± 7% (Full Step, No Load) |
| Resistance Accuracy | ± 10% |
| Temperature Rise | 80° C Max |
| Ambient Temperature | -20° C to + 50°C |
| Insulation Resistance | 100M Ω Min., 500VDC |
| Dielectric Strength | 500VAC for One Minute |

| Model | Step Angle (deg) | Gear Ratio | # Of Wires | Voltage (V) | Current Per Phase (A) | Resistance Per Phase | Holding Torque (g-cm) | Detent Torque (g-cm) |
|-------------------------------|------------------|------------|------------|-------------|-----------------------|----------------------|-----------------------|----------------------|
| TGM25-075-26-3V-047A-10R-LW4 | 7.5 | 10:1 | 4 | 2.8 | 0.47 | 5.96 | 1400 | 500 |
| TGM25-075-26-13V-011A-30R-LW6 | 7.5 | 30:1 | 6 | 13.3 | 0.11 | 120.91 | 4000 | 1400 |

TGM25-075-26-3V-052A-5R-LW4



TGM25-075-26-3V-047A-10R-LW4



TGM25-075-26-13V-011A-30R-LW6

